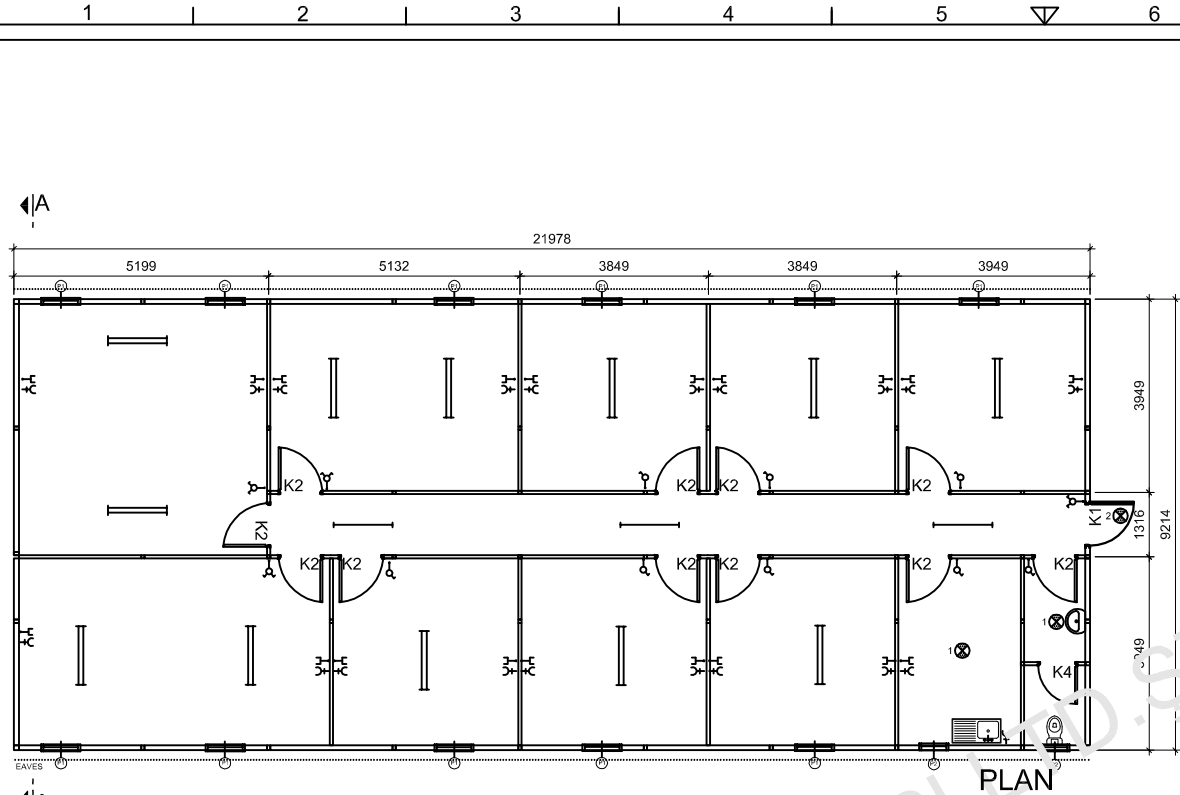
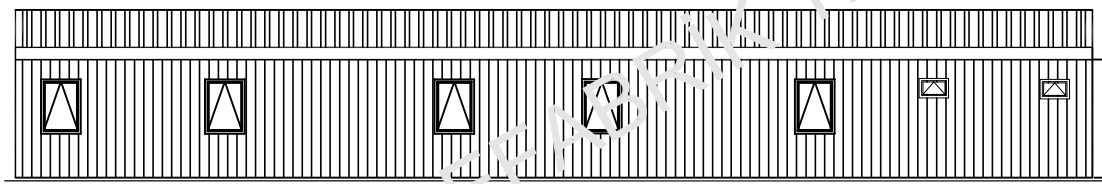


Prefi PREFABRİK YAPI END. BİLİŞİM ve TİCARET LTD.ŞTİ. Ankara - İstanbul Karayolu, 30. km Akıncı Kavşağı, Kazan 06980 Ankara Tel:+90(312) 815 49 75(Pbx) Fax:+90(312) 815 49 78 www.Prefi.com.tr e-posta: pref@prefi.com.tr	ÇİZEN: DRAWN:	FIRMA /COMPANY: 200 KİŞİLİK GLV-BET KAMP	BAŞLIK /TITLE: KAMP YERLEŞİM PLANI		m ²
	KONTROL: CHK:		TARİH/DATE: XX.XX.2010	REFERANS: TM1001/00..	
	ONAYLAMA: APPROVAL: H.V.Y.				

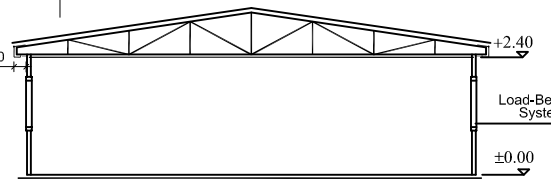


PLAN

P1	WINDOW	800 X 1100
P2	WINDOW	600 X 400
K1	EX. DOOR	850 X 2000
K2	INL. DOOR	840 X 2000
K3	EX. DOOR	1700 X 2000
K4	WC DOOR	740 X 1990
K5	INL. DOOR	1700 X 2000
K6	EX. DOOR	1250 X 2000
K8	FENCE DOOR	750 X 2000
	SWITCH	
	DOUBLE SWITCH	
	1 X 40 TMS ARMATURE	
	2 X 40 TMS ARMATURE	
	4 X 18 PARABOLIC ARMATURE	
	LATERAL EARTH SOCKET	
	TELEPHONE LINE	
	UPS	
	TV LINE	
	NETWORK LINE	
	C TYPE GLOBE	
	C TYPE GLOBE WITH WIRE GUARD	
	(220V) SURFACE MOUNTING FUSE BOX	
	SMOKE DEECTOR	
ALL MEASURED IN MILLIMETERS		



VIEW

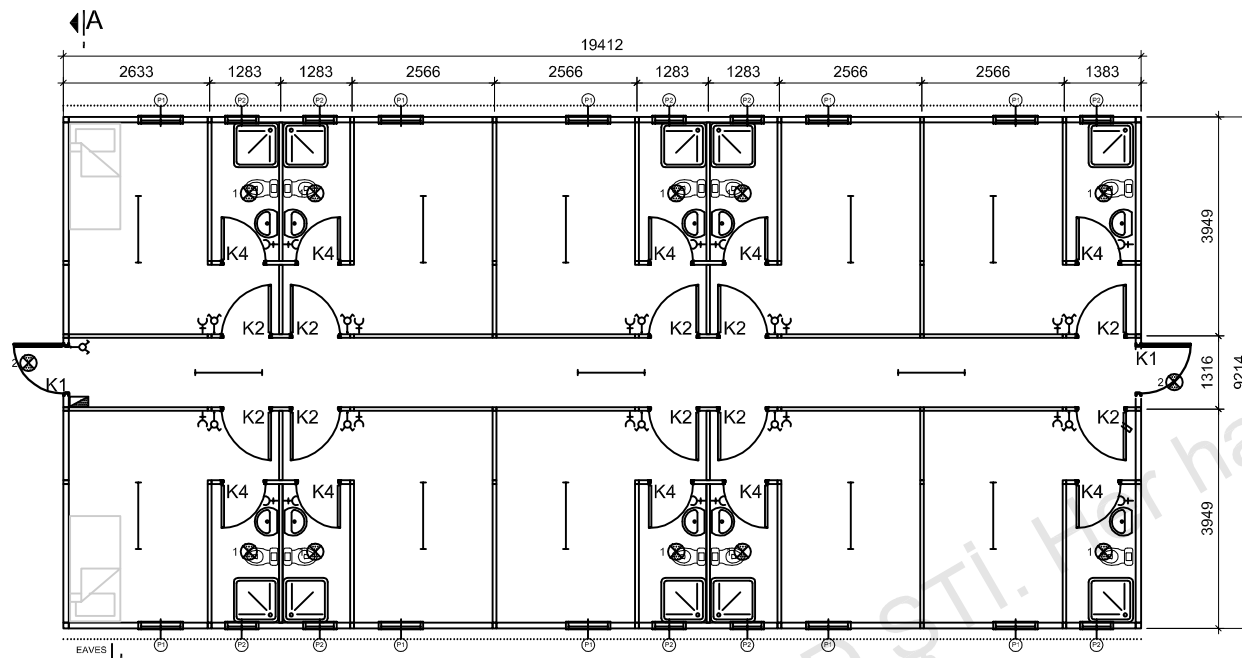


A-A SECTION

- 0.50 mm, Trapezoidal Galvanized steel sheet
- Galvanized Steel Purlin
- Galvanized Rafter
- 100mm, 14 kg/m³ Glasswool Insulation
- White Vinly Coated Gypsum Board

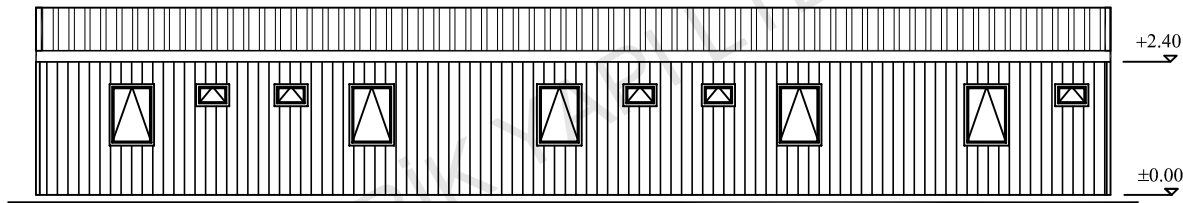
- External Surfaces 0,70 mm Thickness Coil-coated Painted PVC Film Coated Galvanize Steel.
- 80 mm, 14 kg/m³ Thickness Glasswool
- Galvanized Specially C/U Formed Profiles
- Internal Wall Clad 8 mm Thickness Cement Bounded Particular Panel /Fiber Cement Panel

<p>Prefi PREFABRİK YAPI END. BİLİŞİM ve TİCARET LTD.ŞTİ. Ankara - İstanbul Karayolu, 30. km Akıncı Kavşağı, Kazan 06980 Ankara Tel:+90(312) 815 49 75(Pbx) Fax:+90(312) 815 49 78 www.Prefi.com.tr e-posta: prefi@prefi.com.tr</p>	ÇİZEN: DRAWN: E.Ç..	FIRMA /COMPANY: 200 PER.	BAŞLIK /TITLE: OFFICE BULDING (GLV-BET)		m ²
	KONTROL: CHK:		TARİH/DATE: 21/11/2012	REFERANS NO:	PROJE NO:
ONAYLAMA: APPROVAL: H.V.Y.					202.50 m ²



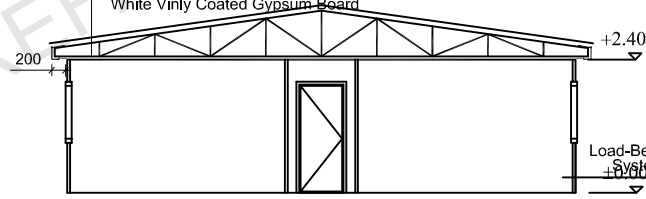
P1	WINDOW	800 X 1100
P2	WINDOW	600 X 400
K1	EX. DOOR	850 X 2000
K2	IN. DOOR	840 X 2000
K3	EX. DOOR	1700 X 2000
K4	WC DOOR	740 X 1990
K5	IN. DOOR	1700 X 2000
K6	EX. DOOR	1250 X 2000
K8	FENCE DOOR	750 X 2000
⊖	SWITCH	
⊖	DOUBLE SWITCH	
—	1 X 40 TMS ARMATURE	
—	2 X 40 TMS ARMATURE	
—	4 X18 PAROBOLIC ARMATURE	
⊖	LATERAL EARTH SOCKET	
⊖	TELEPHONE LINE	
⊖	UPS	
⊖	TV LINE	
⊖	NETWORK LINE	
⊖	C TYPE GLOBE	
⊖	C TYPE GLOBE WITH WIRE GUARD	
⊖	(220V) SURFACE MOUNTING FUSE BOX	
⊖	SMOKE DEDECTOR	
ALL MEASURED IN MILLIMETERS		

PLAN



VIEW

- 0.50 mm. Trapezoidal Galvanized steel sheet
- Galvanized Steel Purlin
- Galvanized Rafters
- 100mm. 14 kg/m³ Glasswool Insulation
- White Vinly Coated Gypsum Board



A-A SECTION

- External Surfaces 0.70 mm Thickness Coil-coated Painted PVC Film Coated Galvanize Steel.
- 80 mm. 14 kg/m³ Thickness Glasswool
- Galvanized Specially C/U Formed Profiles
- Internal Wall Clad 8 mm Thickness Cement Bounded Particular Panel /Fiber Cement Panel

Prefi
 PREFABRİK YAPI END. BİLİŞİM ve TİCARET LTD.ŞTİ.
 Ankara - İstanbul Karayolu, 30. km
 Akıncı Kavşağı, Kazan 06980 Ankara
 Tel:+90(312) 815 49 75(Pbx) Fax:+90(312) 815 49 78
 www.Prefi.com.tr e-posta: prefi@prefi.com.tr

ÇİZEN:
 DRAWN: E.Ç..
 KONTROL:
 CHK:
 ONAYLAMA:
 APPROVAL: H.V.Y.

FİRMA /COMPANY:
200 PER.

TARİH/DATE:

BASLIK /TITLE:
10 PER. ENGINEER ACCOMMODATION
 (GLV-BET)

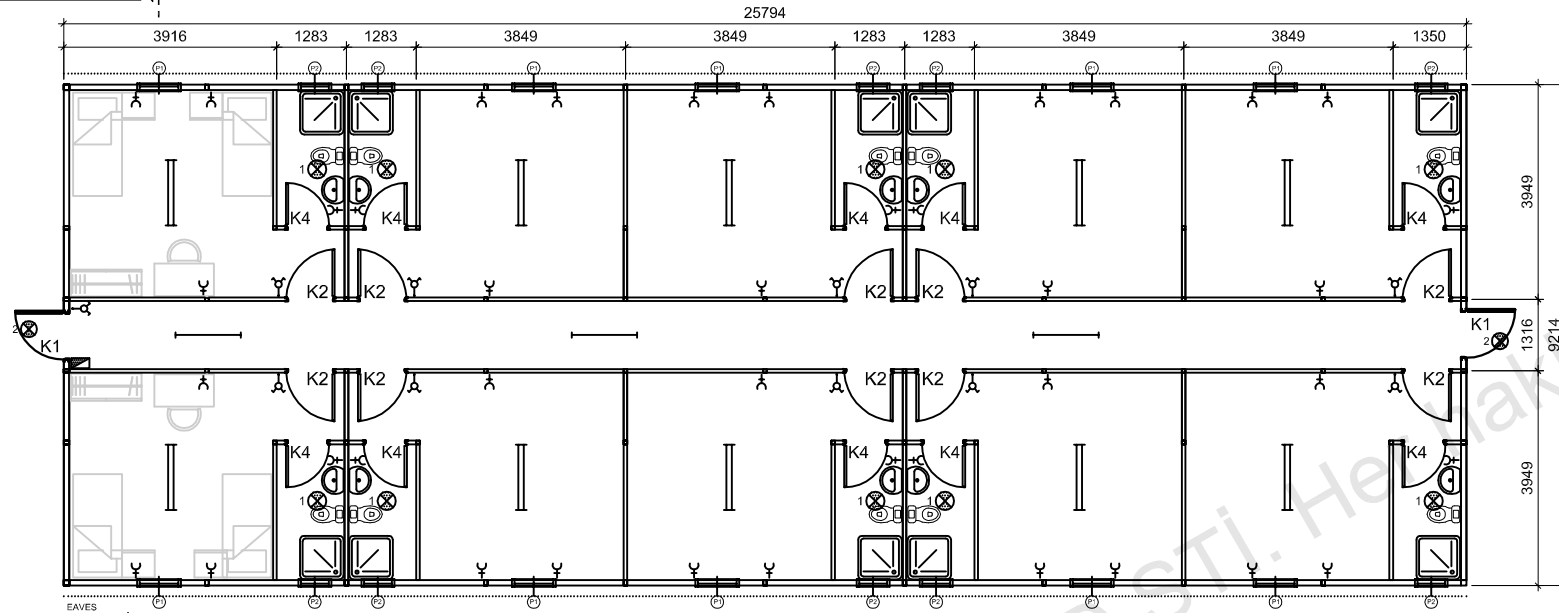
m²
 178.86 m²

REFERANS NO:

PROJE NO:

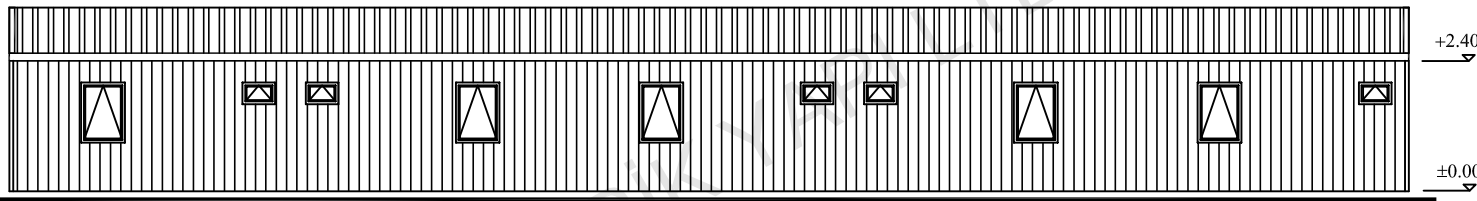
SAYFA /PAGE:

2 UNITS



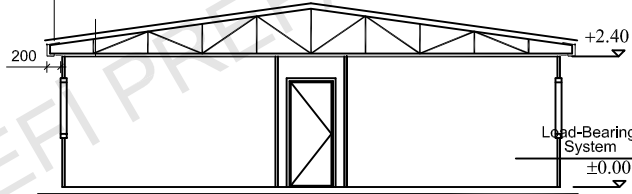
PLAN

P1	WINDOW	800 X 1100
P2	WINDOW	600 X 400
K1	EX. DOOR	850 X 2000
K2	IN. DOOR	840 X 2000
K3	EX. DOOR	1700 X 2000
K4	WC DOOR	740 X 1990
K5	IN. DOOR	1700 X 2000
K6	EX. DOOR	1250 X 2000
K8	FENCE DOOR	750 X 2000
SWITCH		
DOUBLE SWITCH		
1 X 40 TMS ARMATURE		
2 X 40 TMS ARMATURE		
4 X 18 PARABOLIC ARMATURE		
LATERAL EARTH SOCKET		
TELEPHONE LINE		
UPS		
TV LINE		
NETWORK LINE		
1 C TYPE GLOBE		
2 C TYPE GLOBE WITH WIRE GUARD		
(220V) SURFACE MOUNTING FUSE BOX		
SMOKE DETECTOR		
ALL MEASURED IN MILLIMETERS		



VIEW

0.50 mm. Trapezoidal Galvanized steel sheet
Galvanized Steel Purlin
Galvanized Rafter
100mm. 14 kg/m³ Glasswool Insulation
White Vinly Coated Gypsum Board



A-A SECTION

External Surfaces 0.70 mm Thickness Coil-coated
Painted PVC Film Coated Galvanize Steel.
80 mm. 14 kg/m³ Thickness Glasswool
Galvanized Specially C/U Formed Profiles
Internal Wall Clad 8 mm Thickness Cement
Bounded Particular Panel /Fiber Cement Panel

P r e f i

PREFABRİK YAPI END. BİLİŞİM ve TİCARET LTD.ŞTİ.
Ankara - İstanbul Karayolu, 30. km
Akıncı Kavşağı, Kazan 06980 Ankara
Tel:+90(312) 815 49 75(Pbx) Fax:+90(312) 815 49 78
www.Prefi.com.tr e-posta: pref@prefi.com.tr

ÇİZEN:
DRAWN: E.Ç

KONTROL:
CHK:

ONAYLAMA:
APPROVAL: H.V.Y.

FİRMA /COMPANY:

200 PER.

TARİH/DATE:

BASLIK /TITLE:

20 KİŞİLİK FORMEN YATAKHANE BİNASI

(GLV-BET)

REFERANS NO:

PROJE NO:

SAYFA /PAGE:

m²

237.76 m²

2 UNITS

A

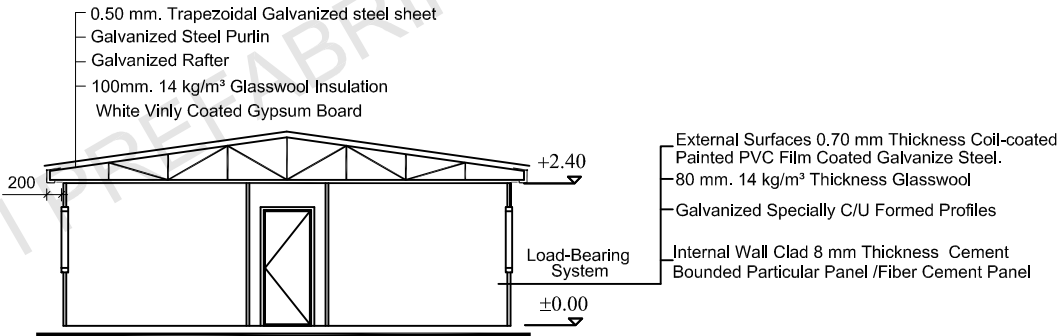
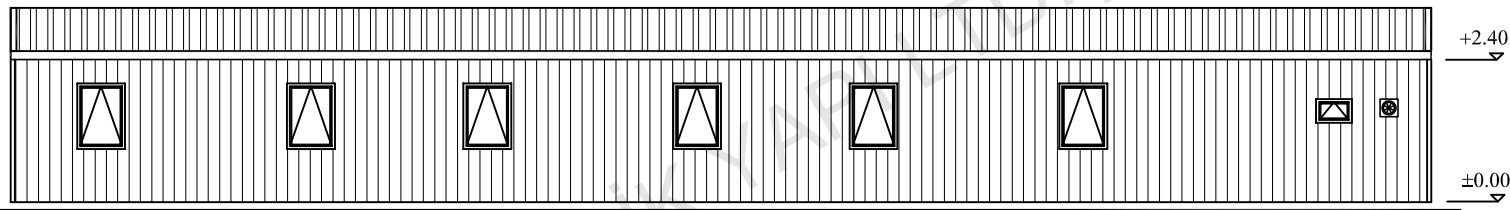
23960

PLAN

VIEW

A-A SECTION

P1	WINDOW	800 X 1100
P2	WINDOW	600 X 400
K1	EX. DOOR	850 X 2000
K2	IN. DOOR	840 X 2000
K3	EX. DOOR	1700 X 2000
K4	WC DOOR	740 X 1990
K5	IN. DOOR	1700 X 2000
K6	EX. DOOR	1250 X 2000
K8	FENCE DOOR	750 X 2000
	SWITCH	
	DOUBLE SWITCH	
	1 X 40 TMS ARMATURE	
	2 X 40 TMS ARMATURE	
	4 X 18 PARABOLIC ARMATURE	
	LATERAL EARTH SOCKET	
	TELEPHONE LINE	
	UPS	
	TV LINE	
	NETWORK LINE	
1	C TYPE GLOBE	
2	C TYPE GLOBE WITH WIRE GUARD	
	(220V) SURFACE MOUNTING FUSE BOX	
	SMOKE DEDECTOR	
ALL MEASURED IN MILLIMETERS		



P r e f i
 PREFABRİK YAPI END. BİLİŞİM ve TİCARET LTD.ŞTİ.
 Ankara - İstanbul Karayolu, 30. km
 Akıncı Kavşağı, Kazan 06980 Ankara
 Tel:+90(312) 815 49 75(Pbx) Fax:+90(312) 815 49 78
 www.Prefi.com.tr e-posta: pref@prefi.com.tr

ÇİZEN:
DRAWN: E.Ç..
 KONTROL:
CHK:
 ONAYLAMA:
APPROVAL: H.V.Y.

FİRMA /COMPANY:
200 PER.

TARİH/DATE:

BASLIK /TITLE:
48 PER WORKER ACCOMMODATION

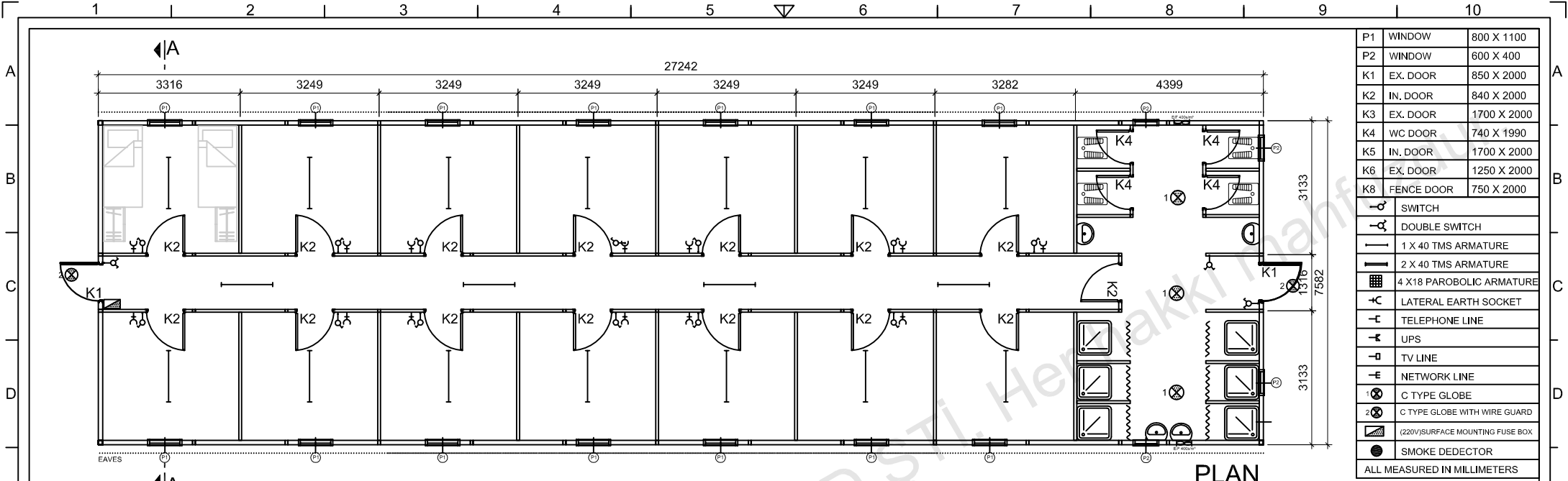
m²

181.66m²

REFERANS NO:

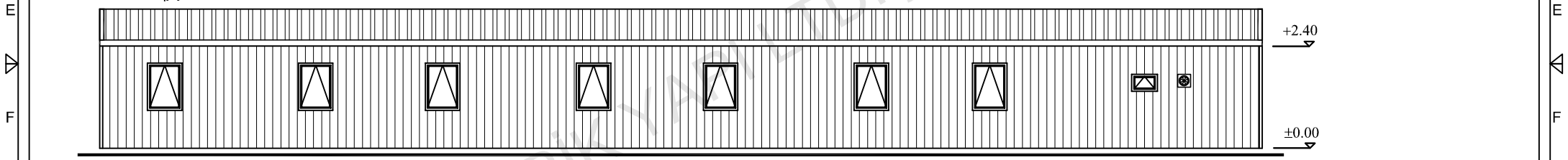
PROJE NO:

SAYFA /PAGE:

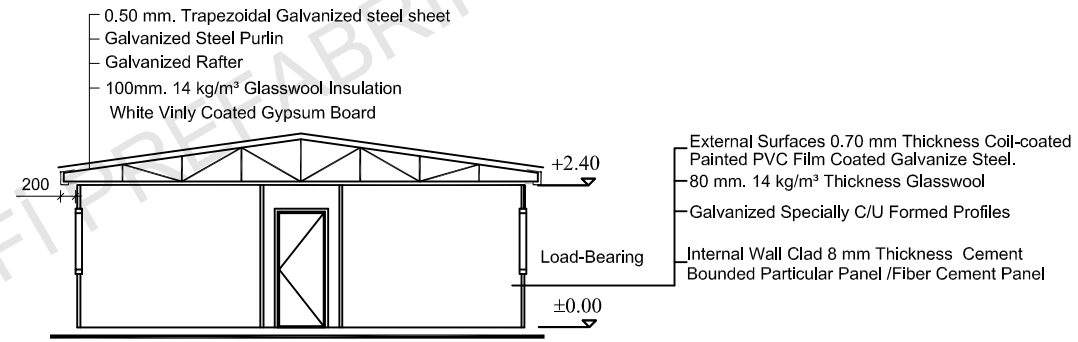


P1	WINDOW	800 X 1100
P2	WINDOW	600 X 400
K1	EX. DOOR	850 X 2000
K2	IN. DOOR	840 X 2000
K3	EX. DOOR	1700 X 2000
K4	WC DOOR	740 X 1990
K5	IN. DOOR	1700 X 2000
K6	EX. DOOR	1250 X 2000
K8	FENCE DOOR	750 X 2000
	SWITCH	
	DOUBLE SWITCH	
	1 X 40 TMS ARMATURE	
	2 X 40 TMS ARMATURE	
	4 X 18 PARABOLIC ARMATURE	
	LATERAL EARTH SOCKET	
	TELEPHONE LINE	
	UPS	
	TV LINE	
	NETWORK LINE	
	C TYPE GLOBE	
	C TYPE GLOBE WITH WIRE GUARD	
	(220V)SURFACE MOUNTING FUSE BOX	
	SMOKE DEDECTOR	
ALL MEASURED IN MILLIMETERS		

PLAN

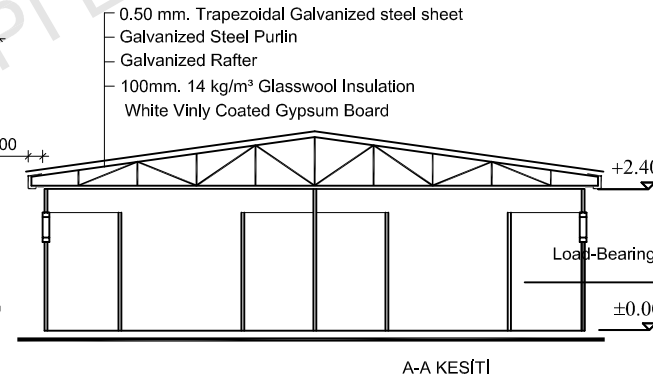
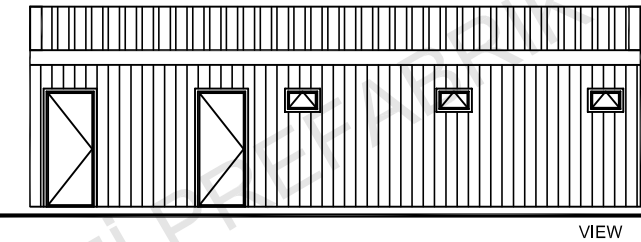
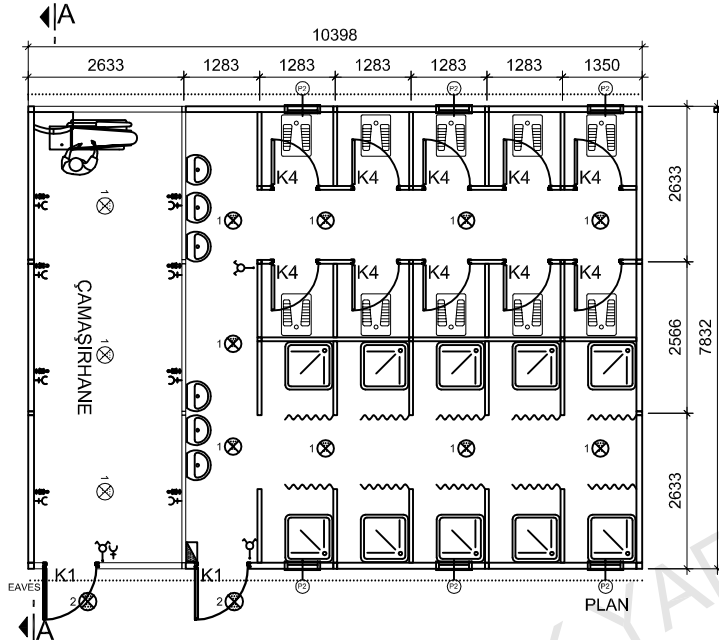


VIEW



A-A SECTION

<p>PREFABRİK YAPI END. BİLİŞİM ve TİCARET LTD.ŞTİ. Ankara - İstanbul Karayolu, 30. km Akıncı Kavşağı, Kazan 06980 Ankara Tel:+90(312) 815 49 75(Pbx) Fax:+90(312) 815 49 78 www.Prefi.com.tr e-posta: pref@prefi.com.tr</p>	<p>ÇİZEN: E.Ç..</p> <p>KONTROL: CHK:</p> <p>ONAYLAMA: H.V.Y.</p>	<p>FİRMA /COMPANY: 200 PER.</p> <p>TARİH/DATE:</p>	<p>BASLIK /TITLE: 56 PER.WORKER ACCOMMODATION</p> <p>REFERANS NO:</p> <p>PROJE NO:</p>	<p>m²</p> <p>206.54m²</p> <p>SAYFA /PAGE:</p>
	<p>F.MI.06/C</p> <p>YAYIN TARİHİ : 01/08/2001</p> <p>REVİZYON TARİHİ :31/12/2012</p>			



P1	WINDOW	800 X 1100
P2	WINDOW	600 X 400
K1	EX. DOOR	850 X 2000
K2	IN. DOOR	840 X 2000
K3	EX. DOOR	1700 X 2000
K4	WC DOOR	740 X 1990
K5	IN. DOOR	1700 X 2000
K6	EX. DOOR	1250 X 2000
K8	FENCE DOOR	750 X 2000
	SWITCH	
	DOUBLE SWITCH	
	1 X 40 TMS ARMATURE	
	2 X 40 TMS ARMATURE	
	4 X 18 PARABOLIC ARMATURE	
	LATERAL EARTH SOCKET	
	TELEPHONE LINE	
	UPS	
	TV LINE	
	NETWORK LINE	
1 ⊗	C TYPE GLOBE	
2 ⊗	C TYPE GLOBE WITH WIRE GUARD	
	(220V) SURFACE MOUNTING FUSE BOX	
	SMOKE DETECTOR	
ALL MEASURED IN MILLIMETERS		

0.50 mm. Trapezoidal Galvanized steel sheet
Galvanized Steel Purlin
Galvanized Rafter
100mm. 14 kg/m³ Glasswool Insulation
White Vinly Coated Gypsum Board

External Surfaces 0.70 mm Thickness Coil-coated
Painted PVC Film Coated Galvanize Steel.
80 mm. 14 kg/m³ Thickness Glasswool
Galvanized Specially C/U Formed Profiles
Internal Wall Clad 8 mm Thickness Cement
Bounded Particular Panel /Fiber Cement Panel

Prefi

PREFABRİK YAPI END. BİLİŞİM ve TİCARET LTD.ŞTİ.
Ankara - İstanbul Karayolu, 30. km
Akıncı Kavşağı, Kazan 06980 Ankara
Tel:+90(312) 815 49 75(Pbx) Fax:+90(312) 815 49 78
www.Prefi.com.tr e-posta: pref@prefi.com.tr

ÇİZEN:
DRAWN: E.Ç.

KONTROL:
CHK:

ONAYLAMA:
APPROVAL: H.V.Y.

FİRMA /COMPANY:

200 PER.

TARİH/DATE:

BASLIK /TITLE:

SHOWER-WC-

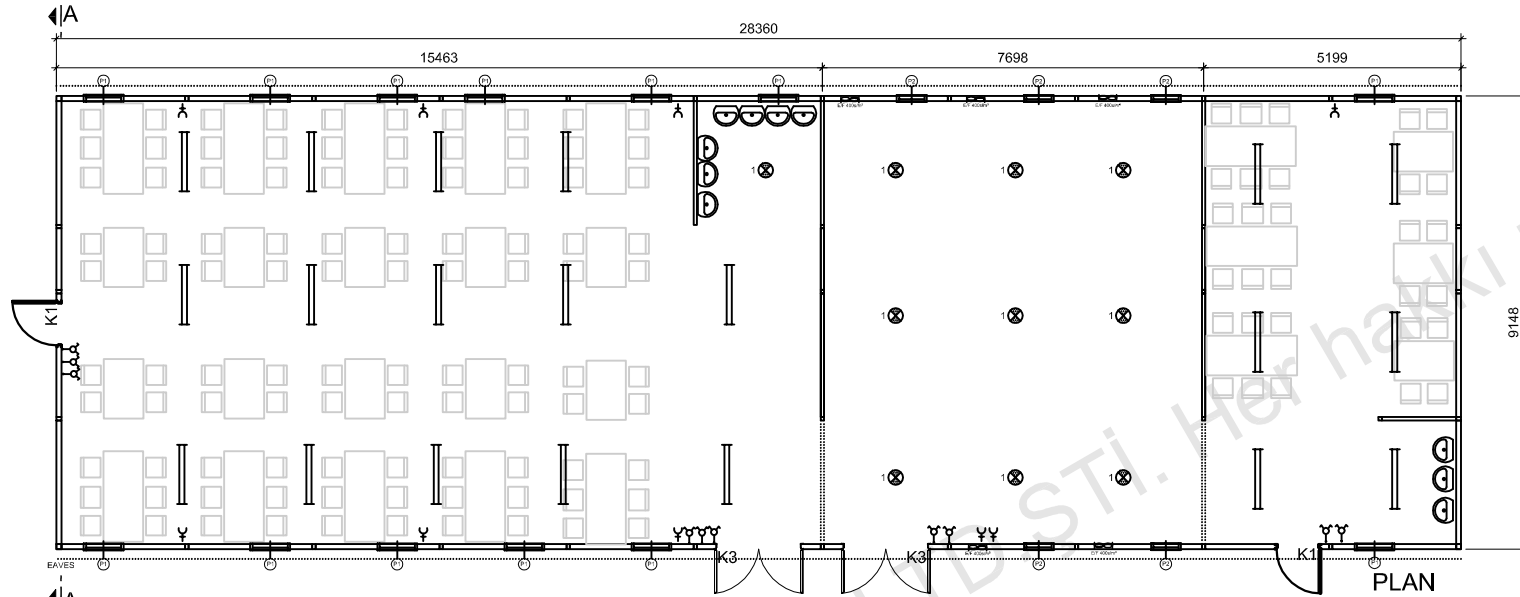
m²

81.43m²

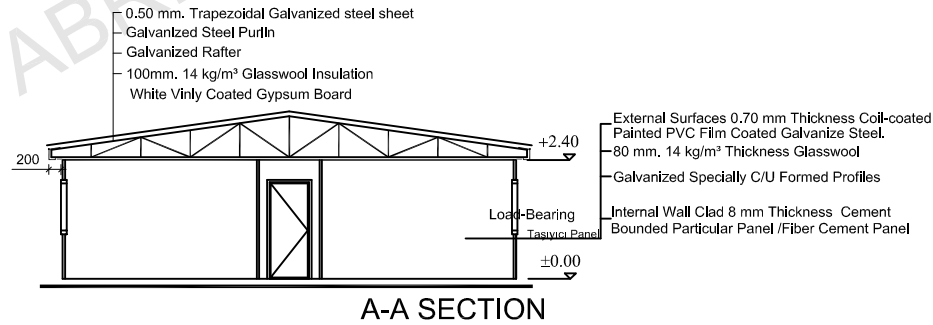
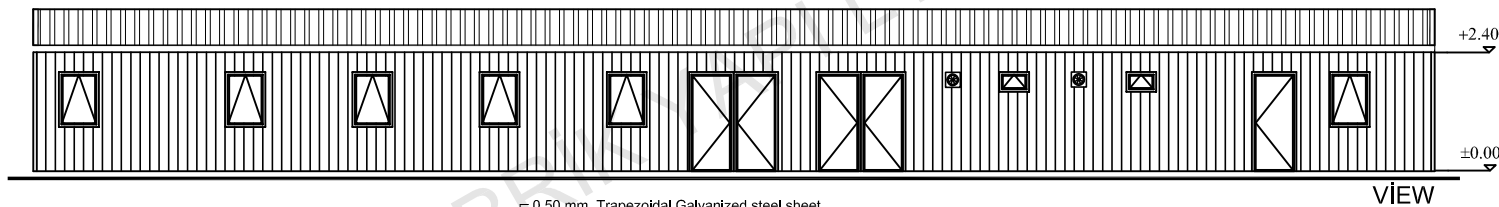
REFERANS NO:

PROJE NO:

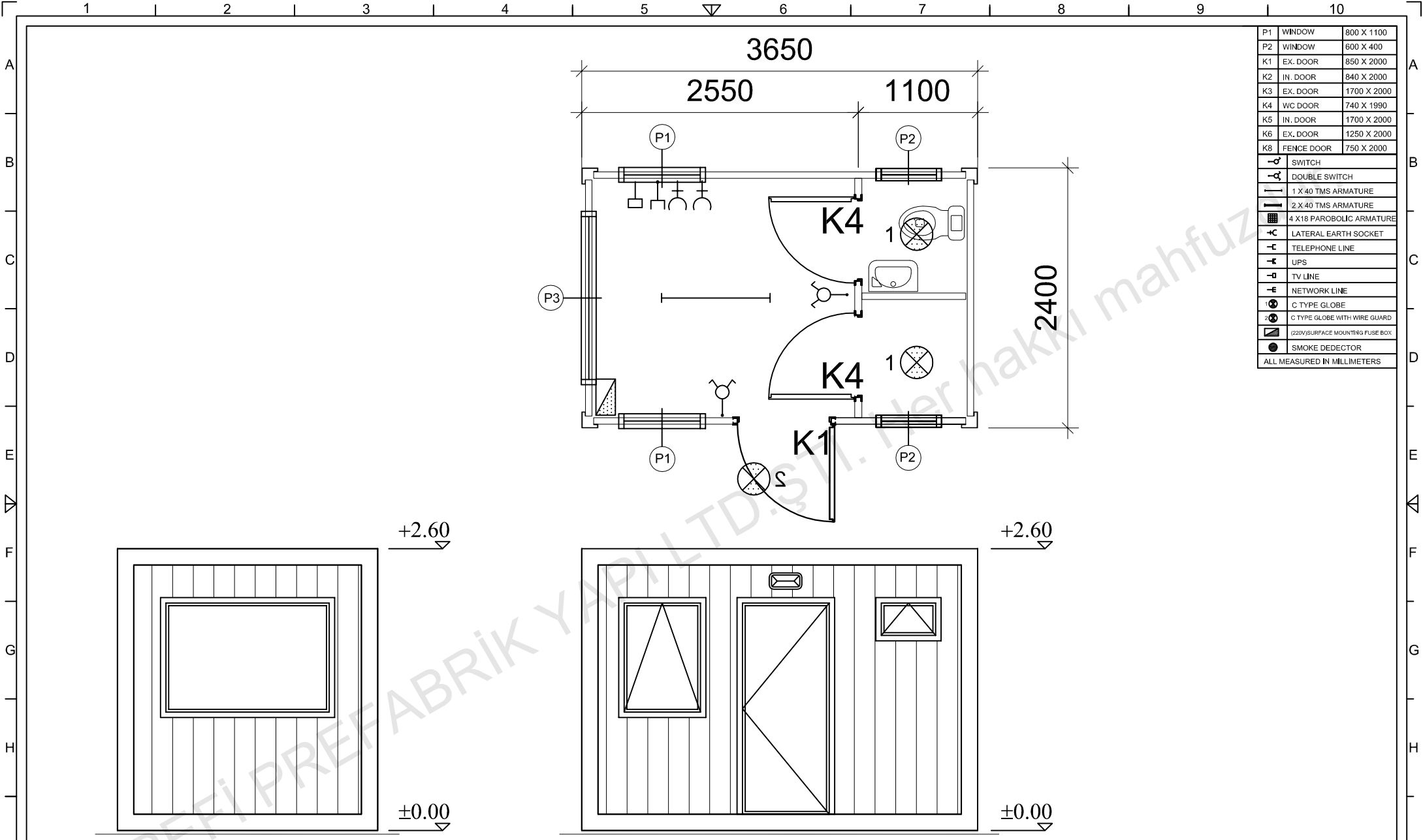
SAYFA /PAGE:



P1	WINDOW	800 X 1100
P2	WINDOW	600 X 400
K1	EX. DOOR	850 X 2000
K2	IN. DOOR	840 X 2000
K3	EX. DOOR	1700 X 2000
K4	WC DOOR	740 X 1990
K5	IN. DOOR	1700 X 2000
K6	EX. DOOR	1250 X 2000
K8	FENCE DOOR	750 X 2000
SW	SWITCH	
DS	DOUBLE SWITCH	
1X40	1 X 40 TMS ARMATURE	
2X40	2 X 40 TMS ARMATURE	
4X18	4 X 18 PARABOLIC ARMATURE	
LES	LATERAL EARTH SOCKET	
TEL	TELEPHONE LINE	
UPS	UPS	
TV	TV LINE	
NET	NETWORK LINE	
CG	C TYPE GLOBE	
CGW	C TYPE GLOBE WITH WIRE GUARD	
220V	220V SURFACE MOUNTING FUSE BOX	
SD	SMOKE DEDECTOR	
ALL MEASURED IN MILLIMETERS		



Prefi PREFABRİK YAPI END. BİLİŞİM ve TİCARET LTD.ŞTİ. Ankara - İstanbul Karayolu, 30. km Akıncı Kavşağı, Kazan 06980 Ankara Tel:+90(312) 815 49 75(Pbx) Fax:+90(312) 815 49 78 www.Prefi.com.tr e-posta: pref@prefi.com.tr	ÇİZEN: DRAWN: E.Ç..	FIRMA /COMPANY: 200 PER.	BAŞLIK /TITLE: HALL DINING		m ²
	KONTROL: CHK:		TARIH/DATE:		259.43 m ²
ONAYLAMA: APPROVAL: H.V.Y.	REFERANS NO:	PROJE NO:	SAYFA /PAGE:		



P1	WINDOW	800 X 1100
P2	WINDOW	600 X 400
K1	EX. DOOR	850 X 2000
K2	IN. DOOR	840 X 2000
K3	EX. DOOR	1700 X 2000
K4	WC DOOR	740 X 1990
K5	IN. DOOR	1700 X 2000
K6	EX. DOOR	1250 X 2000
K8	FENCE DOOR	750 X 2000
⚡	SWITCH	
⚡	DOUBLE SWITCH	
—	1 X 40 TMS ARMATURE	
—	2 X 40 TMS ARMATURE	
—	4 X18 PARABOLIC ARMATURE	
⊕	LATERAL EARTH SOCKET	
—	TELEPHONE LINE	
—	UPS	
—	TV LINE	
—	NETWORK LINE	
⊙	C TYPE GLOBE	
⊙	C TYPE GLOBE WITH WIRE GUARD	
⊙	(220V)SURFACE MOUNTING FUSE BOX	
●	SMOKE DEDECTOR	
ALL MEASURED IN MILLIMETERS		

<p>P r e f i PREFABRİK YAPI END. BİLİŞİM ve TİCARET LTD.ŞTİ. Ankara - İstanbul Karayolu, 30. km Akıncı Kavşağı, Kazan 06980 Ankara Tel:+90(312) 815 49 75(Pbx) Fax:+90(312) 815 49 78 www.Prefi.com.tr e-posta: pref@prefi.com.tr</p>	ÇİZEN: E.Ç. KONTROL: CHK:	FIRMA /COMPANY: 200 PER.	BAŞLIK /TITLE: SECURITY CONTAINER	m ² 8.76 m ²
	ONAYLAMA: H.V.Y. APPROVAL:	TARİH/DATE:	REFERANS NO:	PROJE NO: